



Uni-Roller® S2

Continuous Stock Lubrication

Continuous Lubrication

The Uni-Roller® S2 is the ultimate solution for continuous stock lubrication. Combined with a SmartFlow™ or SPR-2000 JR™ programmable fluid controller, the Uni-Roller® S2 will consistently apply the correct amount of fluid to both the top and bottom of your coil, day after day.

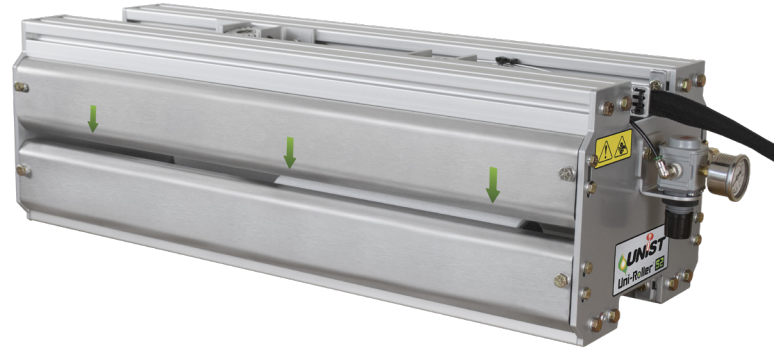
- Reduce lubricant consumption by 50% or more
- Quick-change rollers for easy maintenance
- Cleaner floors & work area

The internally-supplied rollers are essential to precisely applying the fluid. Inside each of the rollers is a dispenser tube with small holes placed along its length. Fluid is injected into the dispenser tubes from the fluid controller and dispensed across the inside of the rollers.

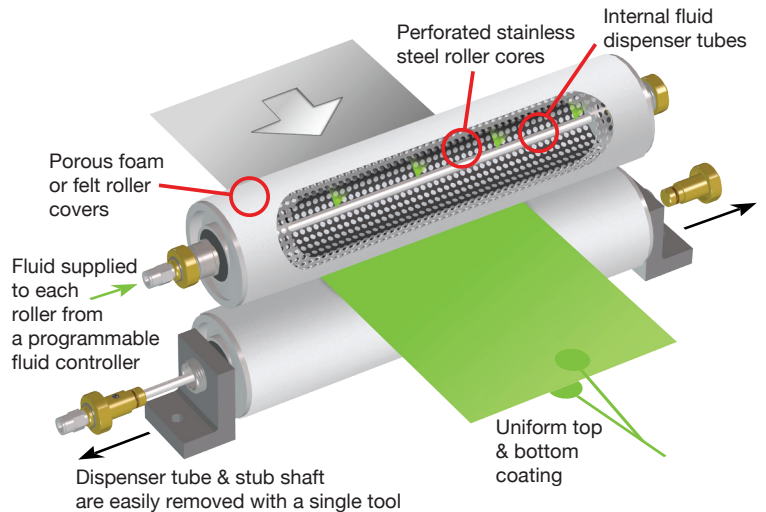
The lubricant is transferred to the stock through durable polyester felt or polyurethane foam roller covers. These cover materials apply the lubricant smoothly and evenly across both the top and bottom of the stock.

The Uni-Roller® S2 applies the exact amount of lubricant required. This eliminates the mess and waste associated with in-die spray systems and externally lubricated roller systems. The result is not only a cleaner shop, but also significant savings from decreased fluid waste, improved die life, better part quality and increased machine up-time. Many customers have reported savings resulting in a return on investment of less than six months!

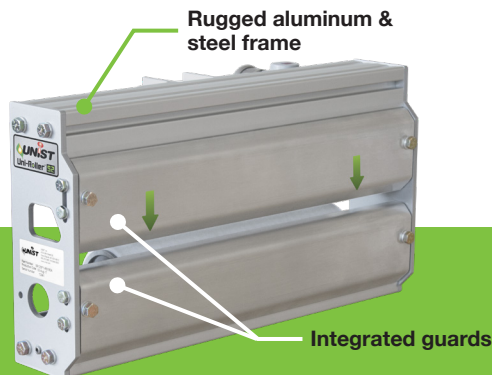
The brushed stainless steel guards protect the rollers and guide material when loading coil stock or feeding blanks. With the guards removed for better access, a roller can be changed in about a minute using a single wrench. The Uni-Roller® S2 is built to handle any manufacturing environment without sacrificing ease of maintenance.



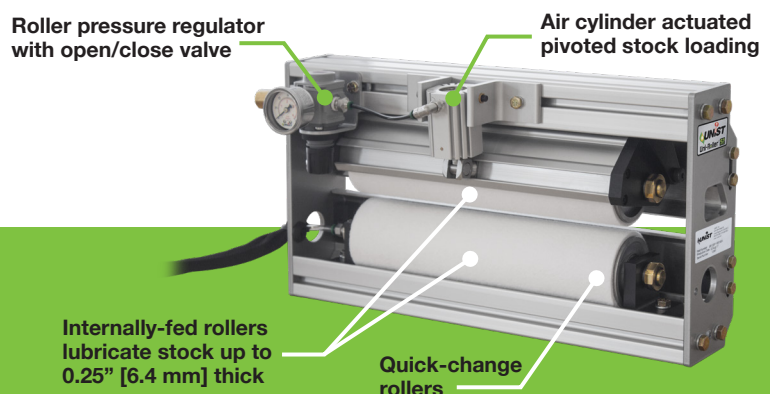
The Uni-Roller® S2 is modular in design. A single roller set is used for widths of 18" [457 mm] or less. For stock over 18" [457 mm] wide, multiple 12" [305 mm] wide roller sets are staggered and overlapped. Standard sizes are available to accommodate common stock widths, with custom sizes available on request.



Single roller entry side



Single roller exit side



Single roller unit shown above. Lubricators with multiple roller sets have guards on both entry and exit sides.

Standard Sizes

Single roller coverage up to 18" [457 mm]

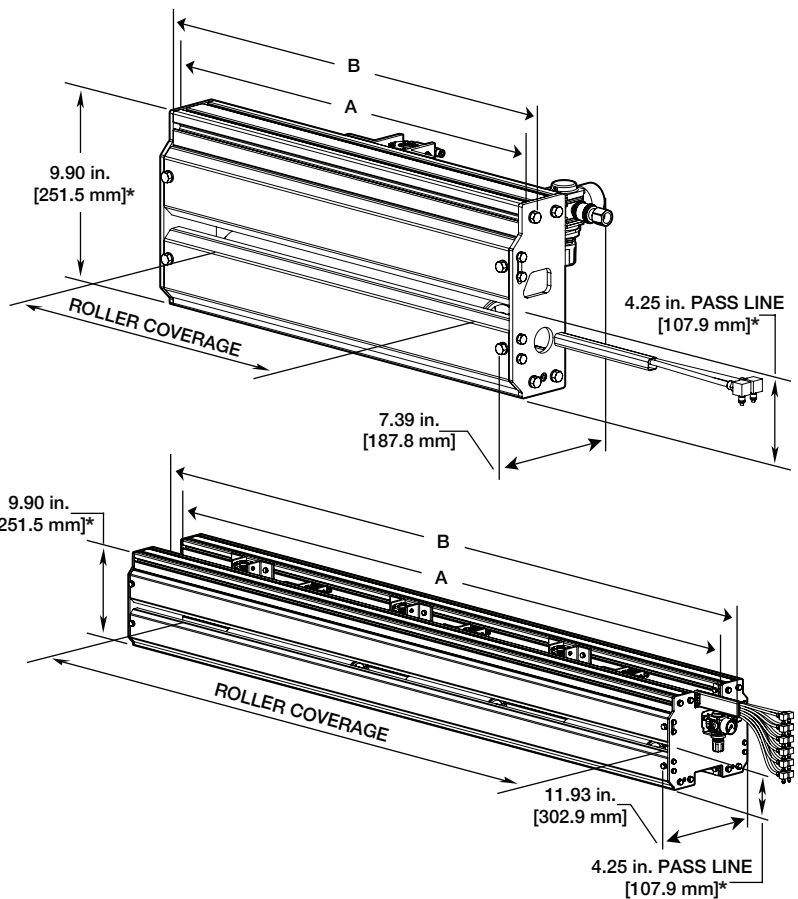
| Roller coverage | A (extrusion length) | B (overall width) |
|-----------------|-------------------------|----------------------|
| 3" [76 mm] | 12.00" [304.8 mm] | 13.13" [333.5 mm] |
| 6" [152 mm] | 12.00" [304.8 mm] | 13.13" [333.5 mm] |
| 12" [305 mm] | 18.00" [457.2 mm] | 19.13" [485.9 mm] |
| 18" [457 mm] | 24.00" [609.6 mm] | 25.13" [638.3 mm] |

*On units with double air cylinders add 1.40" [35.6 mm] to the pass line and overall height.








Multiple rollers coverage over 18" [457 mm]

| Roller coverage | A (extrusion length) | B (overall width) |
|-----------------|-------------------------|----------------------|
| 23.5" [597 mm] | 30.00" [762.0 mm] | 34.16" [867.7 mm] |
| 35" [889 mm] | 42.00" [1066.8 mm] | 46.16" [1172.5 mm] |
| 46.5" [1181 mm] | 54.00" [1371.6 mm] | 58.16" [1477.3 mm] |
| 58" [1473 mm] | 66.00" [1676.4 mm] | 70.16" [1782.1 mm] |
| 69.5" [1765 mm] | 78.00" [1981.2 mm] | 82.16" [2086.9 mm] |

*On units with double air cylinders add 1.40" [35.6 mm] to the pass line and overall height.



Features & Options

| Standard features | Options |
|--|---|
|  <p>Polyester felt cover Extremely durable and compatible with a broad range of fluids.</p> |  <p>Polyurethane foam cover Reduces uneven wear on cover when a variety of stock widths and thicknesses are used. Due to limited fluid compatibility, consult Unist.</p> |
| <p>Standard fluid dispenser tube Best choice for most applications with the widest range of fluid compatibility and flow rates.</p> | <p>Low volume fluid dispenser tube For use in applications requiring coverage of 50 mg/ ft² [538 mg/m²] or less.</p> |
|  <p>Manual valve Manual open/close control of the roller set.</p> |  <p>Solenoid valve To tie into control systems to automate opening of roller set.</p> |
|  <p>Single pneumatic air cylinder Preferred method for maintaining pressure on stock and opening the rollers to load a new coil.</p> |  <p>Double pneumatic air cylinder The double air cylinder is required for stock thickness over 0.25" [6.35 mm].</p> |
| |  <p>Proximity sensor Used to provide an input signal to a SmartFlow™ controller based on roller rotation. Select when an intermittent signal from the press is not available.</p> |

NEED MORE INFORMATION?

800.253.5462
salessupport@unist.com



Unist, Inc.
4134 36th Street SE
Grand Rapids, MI 49512 USA
U.S. & Canada: 800.253.5462
International: 616.949.0853
Email: salessupport@unist.com