

Thin & Narrow Coil Stock Lubrication

The Mini-Roller™ lubricator is ideal for thin or narrow stock applications where a Uni-Roller® S2 is too large for the press window. When combined with a SmartFlow™ or SPR-2000 JR™ the Mini-Roller™ will apply the correct amount of fluid for your application and do it consistently day after day.

- Reduce lubricant consumption by 50% or more
- Cleaner floors & work area
- Increase production rates

The Mini-Roller™ is available in both horizontal and vertical configurations. Each uses internally-supplied rollers that are essential to precisely applying the fluid.

The horizontal configuration has a dispenser tube with small holes placed along its length inside each of the rollers. Fluid is injected into the dispenser tubes from the fluid controller and dispensed across the inside of the rollers.

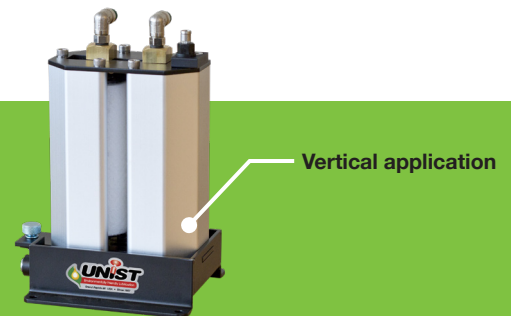
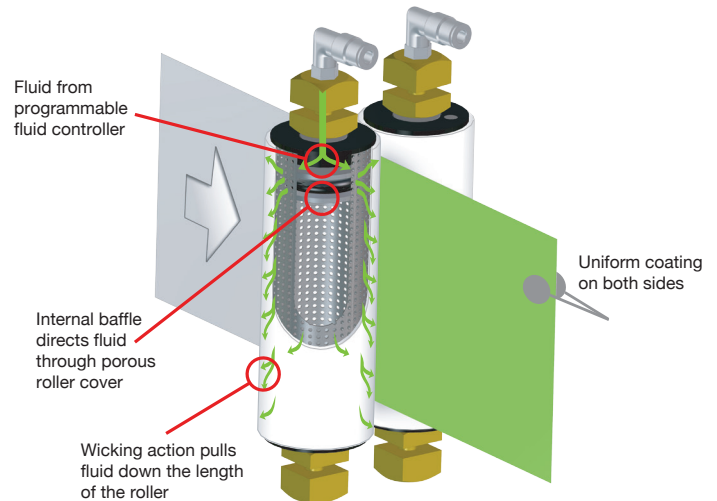
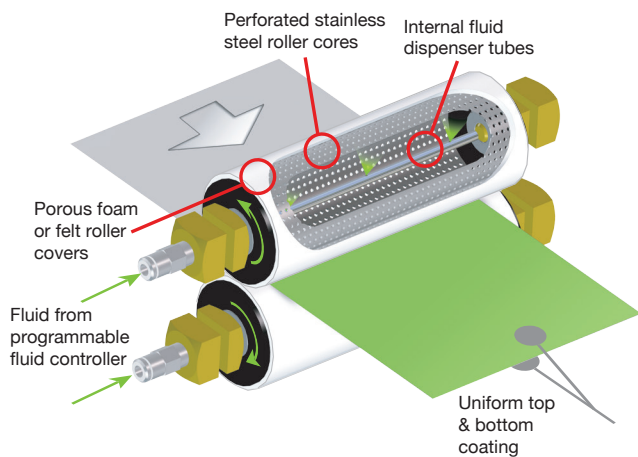
The vertical configuration includes a baffle positioned inside each of the rollers near the top. Every time fluid is injected into the dispenser tube from the fluid controller, it spreads across the baffle where it is then redirected to the outside of the roller. The wicking action of the roller cover material then draws the fluid along the length of the roller.



The lubricant is transferred to the stock through durable polyester felt or polyurethane foam roller covers. These cover materials apply the lubricant smoothly and evenly across both sides of the stock.

The Mini-Roller™ applies the exact amount of lubricant required. This eliminates the mess and waste associated with in-die spray systems and externally-fed roller systems. The result is not only a cleaner shop, but also significant savings from decreased fluid waste, improved die life, better part quality and increased machine up-time. Many customers have reported savings resulting in a return on investment of less than six months!

The Mini-Roller™ is available in four sizes ranging from 1" [25 mm] wide to 6" [152 mm] wide with a stock thickness up to 0.06" [1.5 mm].

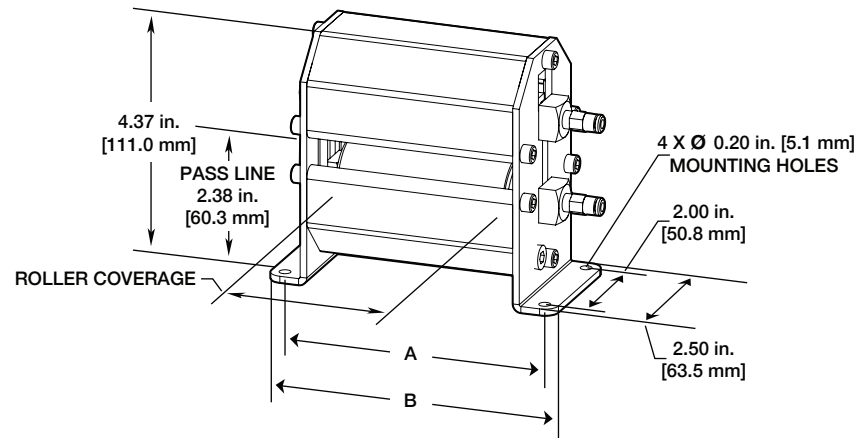


Lubricates one or both sides of stock up to 0.06" [1.5 mm] thick & 6" [152.4 mm] wide

Standard Sizes

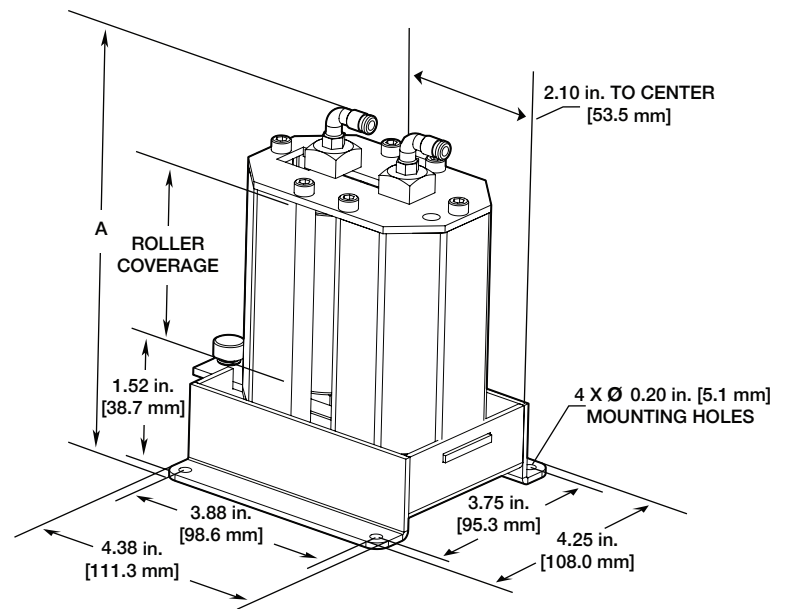
Horizontal Mini-Rollers™ coverage up to 6" [152 mm]

Roller coverage	A (mounting holes centers)	B (overall width)
1" [25 mm]	2.73" [69.3 mm]	3.23" [82.0 mm]
2" [51 mm]	3.73" [94.7 mm]	4.23" [107.4 mm]
3" [76 mm]	4.73" [120.1 mm]	5.23" [132.8 mm]
4" [102 mm]	5.73" [145.5 mm]	6.23" [158.2 mm]
5" [127 mm]	6.73" [170.9 mm]	7.23" [183.6 mm]
6" [152 mm]	7.73" [196.3 mm]	8.23" [209.0 mm]



Vertical Mini-Rollers™ coverage up to 6" [152 mm]

Roller coverage	A (overall height)
1" [25 mm]	4.11" [104.4 mm]
2" [51 mm]	5.11" [129.8 mm]
3" [76 mm]	6.11" [155.2 mm]
4" [102 mm]	7.11" [180.6 mm]
5" [127 mm]	8.11" [206.0 mm]
6" [152 mm]	9.11" [231.4 mm]



Features & Options

Standard features	Options
 <p>Polyester felt cover Extremely durable and compatible with a broad range of fluids.</p>	 <p>Polyurethane foam cover Reduces uneven wear on cover when a variety of stock widths and thicknesses are used. Due to limited fluid compatibility, consult Unist.</p>
	 <p>Rotation sensor Used to provide an input to a SmartFlow™ or SPR-2000 JR™ controller based on roller rotation. Select when an intermittent input signal is not available.</p>

**NEED MORE
INFORMATION?**

800.253.5462
salesupport@unist.com



Unist, Inc.
4134 36th Street SE
Grand Rapids, MI 49512 USA
U.S. & Canada: 800.253.5462
International: 616.949.0853
Email: salesupport@unist.com